

Round Take-Off Damper With MP12 Plug-In Motor Model: RTP

The RTP series are galvanized steel, single blade dampers compete with a 12 Volt DC motor actuator. This Round Take-Off Damper combines both a take-off collar and motorized damper into one unit and is shipped complete and ready for installation. The RTP can be installed in any position on any properly sized duct. All RTP dampers are rated for duct systems less than 2.0" W.C.

Dampers are available in 6", 8", 10", 12", 14" and 16" diameters. Dampers are ordered as RTPdd, using 2 digits for each dimension.

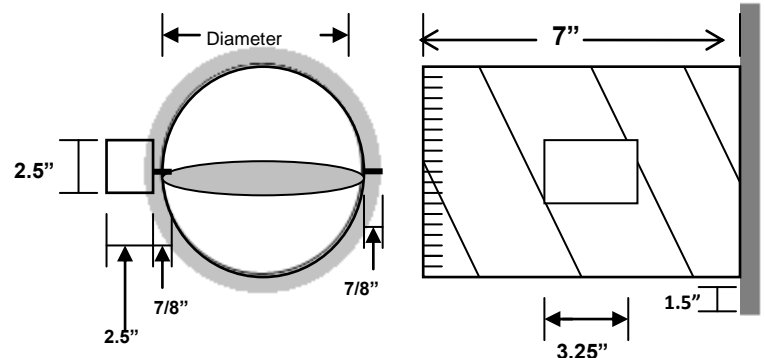
A 12 Volt DC damper motor, Model MP12, powers the RTP. The motor powers the damper closed and open. The MP12 motor wires by simply plugging the motor in using the modular cord, supplied with each damper. The modular cord is a 25' length of standard four (4) conductor telephone wire with RJ11 jacks on each end. The motor is complete with 2 jacks allowing you to daisy chain up to 10 dampers per zone.

The MP12 motor has been tested to over 1,000,000 cycles to provide long life. Even replacing the motor is a simple less than one (1) minute change by loosening the setscrew holding the motor onto the damper, slide the motor off the damper shaft, place a new one on and secure with the screw.

The RTP motor also has a two-color Light Emitting Diode (LED) to indicate the damper position. When the LED is **GREEN** the damper is **Open**. When the LED is **RED** the damper is **Closed**. When the LED is not lit the motor is typically moving between open and closed. The motor cycles between open and closed in less than 5 seconds



Dimensional Drawing



All dimensions are nominal.

Damper Specifications

- Construction – 26 Ga. Galvanized Steel
- Linkage – Direct Drive
- Sizes – 6", 8", 10", 12", 14", 16"
- Motor Voltage – 12VDC, 0.07A
- Torque – 4.69 in./lbs , 75.04 in./oz. , 0.53NM
- Temperature Rating - 0°F to 150°F Operating, -20°F to 175°F Storage
- Humidity – 5% to 95% Non-Condensing
- Damper Timing – Nominal 5 Sec. Powered Open-Closed
- Connection: RJ11 Modular Connector
- Duct Pressure – Maximum 2.0" W.C.



Actuator & 25' of modular cord included with each damper

Installation

When you haven't got room to run a second trunk duct, or already have an existing system with a single trunk, the RT series of dampers allows you to easily zone any system.

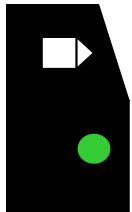
1. Ensure the RTP is correctly sized to the branch run and opening in the square air duct.
2. Remove the old leaky spin-in or tab collar take off. If attaching new branch run, cut out desired hole size on squared air duct supply.
3. Remove adhesive cover on back of new Take-Off Damper.
4. Adhere RTP Damper to the side of the duct directly over the hole.
5. Apply four (4) screws to metal duct to ensure seal.
6. Re-connect the branch duct.
7. Hook up damper motor to control panel.

Checkout

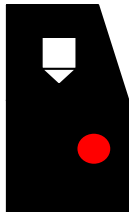
To checkout the operation of the dampers the control panel needs to be operating. It is recommended that each damper be checked before installing into the duct.

To check the damper, plug the damper into a zone on the control panel. Each zone of the panel has an LED that will be **Green** when the damper is to be **open**. When the panel LED is off, the damper will **close** and the damper LED will turn **RED**.

All dampers are 100% factory tested with the cord provided with each damper.



OPEN



CLOSE

The damper shaft is square however the motor has a small triangular shape that also indicates the position of the damper. If the LED does not light, this will indicate the damper is either opening or closing. The damper may be closed and the LED not lit Red as the damper may have stopped short of full closed due to roundness of the damper.

TROUBLESHOOTING

If the damper LED does not light and the motor is not moving when plugged into the control panel, unplug and retry plugging in again. Until the motor moves and the LED lights. Make sure the cord is not pinched or broken.

The motor is powered by 12VDC from the panel. Check the connector on the panel for 12VDC as shown below.

